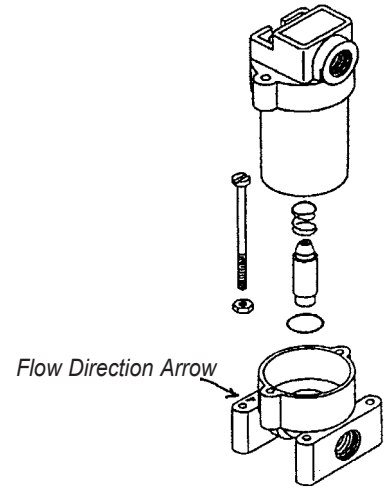


V. CLEANING SOLENOIDS

1. Remove hose from the connector on the top of the solenoid.
2. Unscrew the two stainless steel machine screws that attach the solenoid coil to the solenoid base.
3. Remove solenoid coil from the solenoid base.
4. Remove spring, plunger and O-ring.
5. Clean plunger, base and solenoid cylinder with clean water or compressed air.
NOTE: With the plunger and spring in place, the plunger should be able to slide in and out freely.
6. Re-assemble in reverse order of disassembly.



**NOTE: When re-assembling make sure outlet ports are facing same direction. There are flow direction arrows on the bottom piece of solenoid by the screw holes.*

VI. SHURFLO LIQUID PUMP 8000 SERIES

PUMP WILL NOT START:

- ✓ Fuse or breaker
- ✓ For correct voltage (+/- 10% and electrical connections)
- ✓ Pressure switch operation and correct voltage at switch of motor wires (as equipped).
- ✓ Rectifier or motor for open or grounded circuit
- ✓ For locked drive assembly

LEAKS FROM PUMP HEAD OR SWITCH:

- ✓ For loose screws at pump head
- ✓ Switch diaphragm ruptured or pinched
- ✓ For punctured diaphragm if fluid is present at drain holes

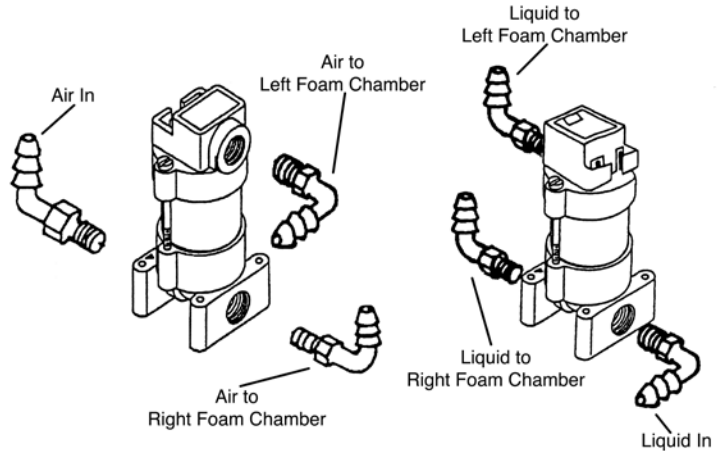
WILL NOT PRIME: (No discharge/motor runs)

- ✓ Out of product
- ✓ Strainer for debris
- ✓ Inlet tubing/plumbing: severe vacuum leak
- ✓ Inlet/Outlet tubing severely restricted (kinked)
- ✓ Debris in pump inlet/outlet valves
- ✓ Proper voltage with the pump operating (+/- 10%)
- ✓ Pump housing for cracks
- ✓ In-line filter for leaks

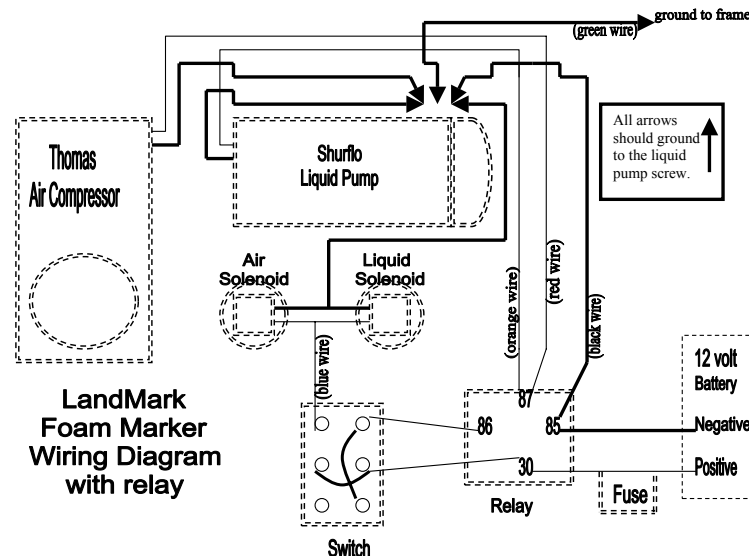
NOISY/ROUGH OPERATION:

- ✓ Mounting feet that are compressed too tight
- ✓ For loose pump head or drive screws
- ✓ Does the mounting surface multiply noise (flexible)
- ✓ Is the pump plumbed with rigid pipe causing noise to transmit

PLUMBING DIAGRAM



WIRING DIAGRAM WITH RELAY



WIRING DIAGRAM

